



serious!

PORTABLE FRIDGE FREEZERS



BUILT TOUGHER BUILT SMARTER BUILT BETTER!

National Luna: serious performance, quality and strength ... simply the smartest choice in portable refrigeration!

Originally designed to meet World Health Organisation specifications for transporting medicines in harsh African conditions, National Luna fridges are now the preferred choice for safari operators, caterers, mining companies, travellers and 4WDers who need commercial-grade quality and serious performance with low battery consumption in demanding conditions.

TOUGHER, SMARTER, BETTER

Metal construction makes National Luna fridges tougher, and clever design plus intelligent controllers makes them smarter, but what makes National Luna fridges better? The answer is superior performance in the form of a proven ability to refrigerate, or freeze, safely in *very* hot weather, and to do it with the lowest possible power consumption, reliability, and durability second to none.

National Luna makes a simple guarantee: our fridges maintain genuine freezing capability...even with outside temperatures of 43°C.

With National Luna you know the

fridge can handle extremes and maintain stable temperatures ...and that's important because your food will last longer.

Power usage is important too. In the real world battery drain is about how much power a fridge uses over days, not just how many amps it draws in a lab, and tests in real-life conditions prove National Luna fridges stay cool with the lowest possible power consumption.

Where others struggle, National Luna fridges keep on doing the job in the most extreme conditions!

THE PERFORMANCE ADVANTAGE

Smarter design makes National Luna fridges better, and three key design features help deliver the best refrigeration performance:

Larger cooling plates – the cooling plates on National Luna fridges also form the fridge's inner walls delivering cooling



Metal inside
and out



from top to bottom and ensuring consistent temperatures and fast 'pull-down' times.

Higher insulation density – National Luna fridge/freezers use parallel metal internal walls and outer cabinets allowing insulation to be injected at high pressure to achieve higher densities – just like roofing insulation where an R3.0 batt outperforms an R2.5 batt of similar thickness, higher density gives improved performance without wasting space. National Luna wall thicknesses range from 40mm to 63mm, and we recommend users wanting a full-time freezer choose from our 'thick wall' range (40, 65, 74, 80, 95 and 125 litre units) or the 90 Twin which uses 'thick wall' insulation on the freezer side.

Better sealing – National Luna uses door seals that employ the same design as commercial fridges utilising an air pocket that inflates and seals using the difference in pressure between the cool inside air and warm outside air. Better sealing maintains lower temperatures with less power use. There's no thin rubber strip seals in a National Luna fridge!

These key features combine with all the other National Luna design elements and quality components to ensure the compressor can

run for the shortest possible time which means low battery consumption and performance reserves for tough demands.

SIMPLY BETTER, SIMPLY SMARTER

Combining commercial quality and real performance with low battery consumption, National Luna fridge/freezers are right choice for anyone that's serious about buying a portable fridge/freezer.

Tougher, smarter and better, there are many reasons why:

Choice of models – National Luna offers a comprehensive range of models to suit all kinds of users. The *Weekender* models are the perfect size and layout for recreational users, the new *90 Twin* offers two-in-one fridge and freezer versatility, the *74* and *95 Double Door* models are ideal for professional tour operators and catering companies or anyone who wants high performance, while National Luna's 40 to 125-litre 'thick wall' range is perfect for anyone looking for a high performance fridge or a dedicated freezer that can actually freeze freshly caught fish safely – not just keep something frozen!

Metal construction – all National Luna fridge/freezers are built with stainless steel or aluminium internal and external walls. The

durability benefits over plastic fridges are obvious.... but metal walls with integral cooling plates also give National Luna superior cooling, extra internal space, and high efficiency. A stainless steel chassis forms the 'backbone' of every National Luna fridge and includes keyhole slots for use in conjunction with mushroom-head bolts and optional fixed baseplate for secure mounting without ropes or straps.

Danfoss compressors – German made and recognised as the most efficient portable fridge compressor in the world, National Luna uses genuine Danfoss compressors and controllers as the heart of the performance, but then design their own fan-assisted condenser, full wall plate evaporator system, control panel and interface for maximum efficiency and reliability.

Clever controls – 12/24v DC can be connected at the same time as built-in 240v AC. National Luna fridge/freezers automatically use 240v AC when available and revert to DC if mains power goes off... great for overnight stays in remote stations where the generators are turned off late at night. The controls also detect battery voltage and when the engine is charging the compressor will be run at high speed for maximum performance

High density insulation



Intelligent controllers



Spring-loaded fold-flat handles



but automatically revert to battery save mode when the engine or charger is off. Turbo Mode can be used to over-ride this function.

Digital thermostats – simply set the temperature average you need and the National Luna controls will cycle the fridge around this temperature no matter whether it is a hot day or cold night. No need to constantly adjust the fridge to avoid freezing the vegies or, even worse, risk warming the beer! After setting your desired temperature, the display reverts to showing you the internal cabinet temperature so you can see at a glance what is going on inside.

Low battery cut-out – adjustable and included on all models. On *Weekender* models the battery cut-out can be set using the built-in battery monitor indicators. When the battery cut-out is triggered, the compressor is stopped but the digital temperature display continues to show you internal temperatures so you are kept informed.

Handles and catches – stainless steel and heavy duty spring loaded fold-flat handles double as tie-down points. The lockable stainless steel catches ensure that even on the roughest roads the lid remains secure.

Solar panel friendly – by ensuring the lowest possible battery consumption through clever design and quality components National Luna fridge/freezers are ideally suited to solar applications. A 65-80watt panel is generally all that is needed to maintain a battery powering a National Luna fridge.

3 year warranty – even with the best design, quality and components, unfortunately sometimes things go wrong. A full parts and labour three-year warranty using both Authorised Service Agents and ,if necessary, any reputable refrigeration service company if you happen to be in a remote location. If you own a National Luna fridge/freezer we'll strive to get you going again quickly and with a minimum of hassle



Lockable metal latches



Impact resistant corner protection



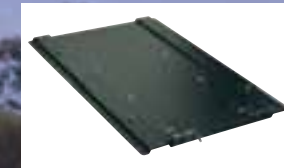
National Luna Accessories



Transit Jacket

Extra protection for your fridge in or out of the vehicle – sturdy zip-top canvas outer.

40 litre	\$129
50/52 litre	\$149
65 litre	\$149
74/80/90 litre	\$179
95 litre	\$189
125 litre	\$199



Floor Mount

Mounts fridge securely without tie-downs.

Fast, easy key-hole action with locking pins.

40-65 litre	\$149
50-55 litre	\$149
74-125 litre	\$199



Fridge slider

Full extension locking slider gives easy access with rattle free roll-in, roll-out action.

Ideal for wagons.

40-65 litre	\$275
74-125 litre	\$375



Removable hinges

Allow you to detach lid quickly for easy access and cleaning – ideal where height limitations are a problem.

\$6 ea.

For details of your nearest dealer or service agent log on to

www.nationalluna.com.au

Distributed in Australia by National Luna Australia
a division of Dolium Pty Ltd 2/248 Welshpool Rd, Welshpool WA 6106

40



NLR40A
Aluminium
\$1795

NLR40S
Stainless Steel
\$1945

Weekender
50
TWIN



NLR50A
Aluminium
\$1845

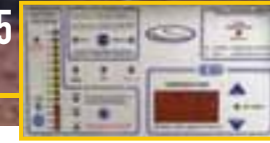
NLR50S
Stainless Steel
\$1995

Weekender
52



NLR52A
Aluminium
\$1795

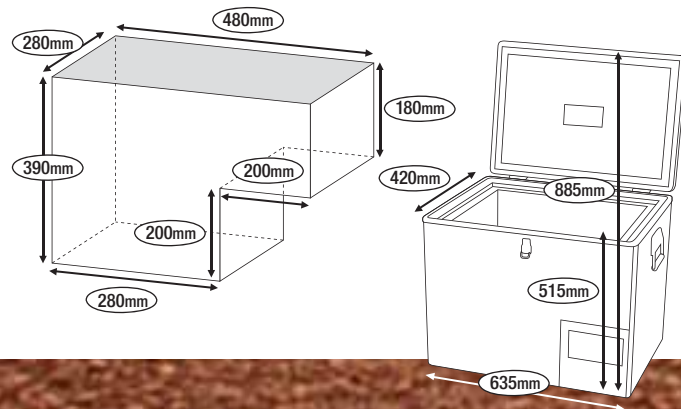
NLR52S
Stainless Steel
\$1945



Built-in battery monitor and alarm

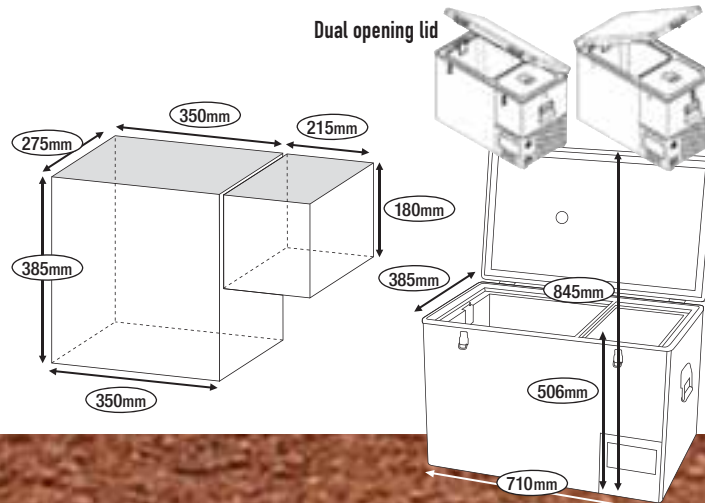
Designed primarily for use as a dedicated freezer but also ideal as a very high performance fridge where the lowest possible battery consumption is needed and space is limited. Available in stainless steel for maximum durability and ease of cleaning, or in aluminium for minimum weight.

- DIMENSIONS** 420(w) x 635(l) x 515mm(h) (885mm with lid raised)
- WEIGHT** Aluminium 23kg Stainless Steel 29kg
- ACTUAL VOLUME** 39.8 litres
- BASKETS** 1 basket in Aluminium models (*up to 3 as an option*)
3 baskets in Stainless Steel models
- MIN TEMP** @ 43°C ambient -18°C (*may be lower in many instances*)
- POWER SOURCE** 12/24v DC 240v AC
- POWER DRAW** @ 12v +/- 2.5 amps *average running current*
Average @ -10°C cabinet / 32°C ambient 1.53 amp/hr
24hr total @ -10°C cabinet / 21-43°C ambient 34.97 amp/hr
- PRICE** Aluminium \$1795 Stainless Steel \$1945



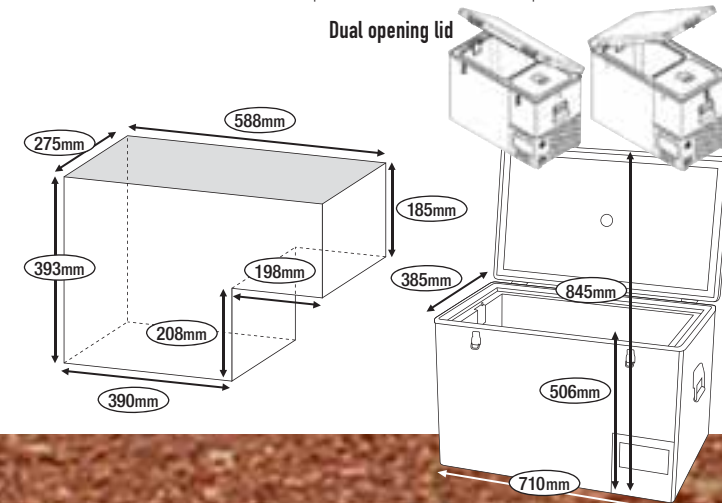
Able to cool and freeze at the same time, combination 40-litre fridge and 10-litre freezer makes the 50 Twin ideal for weekend trips or long tours where space is limited. Uses single digital thermostat for the 40-litre bin and automatically runs the 10-litre bin 10 degrees colder. Features a battery monitor, low-power mode, low-battery protection, two-way lid and more.

- DIMENSIONS** 385(w) x 710(l) x 506mm(h) (845mm with lid raised)
- WEIGHT** Aluminium 22.6kg Stainless Steel 26.5kg
- ACTUAL VOLUME** L/H bin (fridge) 40 litres
R/H bin (freezer) 10 litres
- MIN TEMP** @ 43°C ambient -12°C in 10-litre bin
- POWER SOURCE** 12v DC 240v AC
- POWER DRAW** @ 12v +/- 2.5 amps *average running current*
Average @ -10°C freezer/ 32°C ambient 1.75 amp/hr
24hr total @ -10°C freezer/ 21-43°C ambient 39.50 amp/hr
- PRICE** Aluminium \$1845 Stainless Steel \$1995



Offers more storage capacity than some other brands' '60-litre' models. Holds 84 standard 375ml cans and can be used as all fridge or all freezer. Digital thermostat automatically maintains desired temperature regardless of whether it is a very cold night or a very hot day – no need to constantly make adjustments.

- DIMENSIONS** 385(w) x 710(l) x 506mm(h) (845mm with lid raised)
- WEIGHT** Aluminium 22kg Stainless Steel 26kg
- ACTUAL VOLUME** 52 litres
- BASKETS** 1 basket as standard
- MIN TEMP** @ 43°C ambient -12°C
- POWER SOURCE** 12v DC 240v AC
- POWER DRAW** @ 12v +/- 2.5 amps *average running current*
Average @ -10°C cabinet / 32°C ambient 1.68 amp/hr
24hr total @ -10°C cabinet / 21-43°C ambient 36.85 amp/hr
- PRICE** Aluminium \$1795 Stainless Steel \$1945



All prices plus freight. 24 hour power draw is based on thermostat setting of -10°C against ambient temperatures of 21°C x 12hrs (overnight), 32°C x 7hrs (morning/evening) and 43°C x 5hrs (midday/afternoon) – not applicable to 74, 90 and 95 models. Average power based on amp/hr over 24 hours. Double Door models: average and daily consumption may vary depending on the exact bin configuration chosen and ambient temperatures. Products shown for purposes of illustration only. Drawings not to scale, dimensions do not allow for catches or handles. Prices and specifications subject to change without notice – refer to your dealer or website for current details.

65



NLR65A
Aluminium
\$1990

NLR65A-5
Aluminium
with 5 baskets
\$2150

74

DOUBLE DOOR



NLR74A
Aluminium
\$2690

NLR74S
Stainless Steel
\$2990

DUAL THERMOSTAT

80

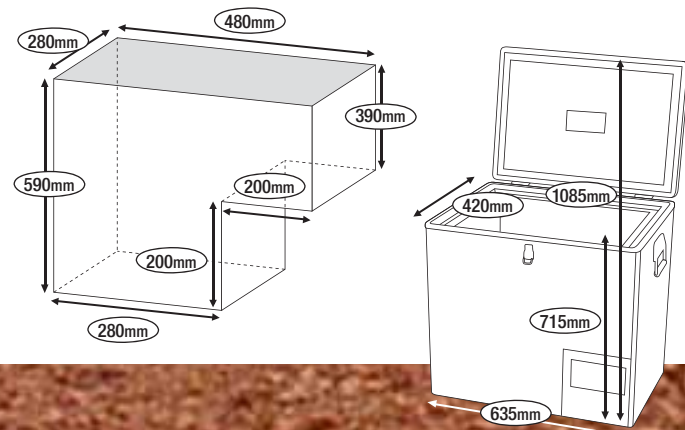


NLR80A
Aluminium
\$2250

NLR80S
Stainless Steel
\$2490

A taller version of the 40-litre unit ideal as a freezer in motorhomes and other applications where the 715mm overall height is practical. As with the 40-litre models, the 65 has thick insulation and full internal cooling plates – even in the base – making it very suitable to freeze new food as well as keeping things frozen.

- DIMENSIONS** 420(w) x 635(l) x 715mm(h) (1085mm with lid raised)
- WEIGHT** Aluminium 26kg
- ACTUAL VOLUME** 66.8 litres
- BASKETS** 1 basket fitted as standard (up to 5 as an option)
- MIN TEMP** @ 43°C ambient -18°C
- POWER SOURCE** 12/24v DC 240v AC
- POWER DRAW** @ 12v +/- 2.5 amps average running current
Average @ -10°C cabinet / 32°C ambient 1.68 amp/hr
24hr total @ -10°C cabinet / 21-43°C ambient 36.85 amp/hr
- PRICE** 1-basket Aluminium \$1990 5-basket Aluminium \$2150

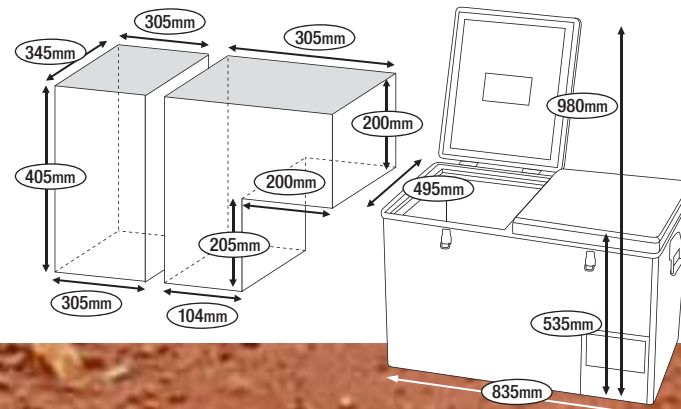


Features one 44-litre bin and one 30-litre bin – each with a separate lid and a separate digital thermostat. Can be used as freezer and fridge combo, or both bins as fridges or both as freezers (larger bin must be freezer when used as fridge/freezer combo).

- DIMENSIONS** 495(w) x 835(l) x 535mm(h) (980mm with lids raised)
- WEIGHT** Aluminium 39kg Stainless Steel 43kg
- ACTUAL VOLUME** R/H bin (fridge or freezer) 29.5 litres
L/H bin (fridge or deep freeze) 43.9 litres
- BASKETS** 3 baskets as standard (extra as an option)
- MIN TEMP** @ 43°C ambient R/H bin -12°C
L/H bin -18°C
- POWER SOURCE** 12/24v DC 240v AC
- POWER DRAW** @ 12v +/- 2.5 amps average running current
24hr total 35 amp/hr – av. power draw with typical fridge/freezer temperatures in 32°C ambient at low speed.

Power consumption may vary with ambient temperature, thermostat settings and frequency of use. Consumption will increase in high-speed or turbo mode.

PRICE Aluminium \$2690 Stainless Steel \$2990



Huge capacity and extra thick insulation make this unit ideal as a large high-performance fridge or freezer. Offers very low battery consumption, and with all internal surfaces under the lid, including the base, acting as full cooling plates ensures stable temperatures across the whole interior. Features four baskets in stainless version, one basket in aluminium version.

- DIMENSIONS** 495(w) x 835(l) x 535mm(h) (980mm with lid raised)
- WEIGHT** Aluminium 29kg Stainless Steel 41kg
- ACTUAL VOLUME** 79.7 litres
- BASKETS** 1 basket in Aluminium models (up to 4 as an option)
4 baskets in Stainless Steel models
- MIN TEMP** @ 43°C ambient -18°C
- POWER SOURCE** 12/24v DC 240v AC
- POWER DRAW** @ 12v +/- 2.5 amps average running current
Average @ -10°C cabinet / 32°C ambient 1.74 amp/hr
24hr total @ -10°C cabinet / 21-43°C ambient 38.53 amp/hr
- PRICE** Aluminium \$2250 Stainless Steel \$2490

